

# HORIZONTAL STORM BAR

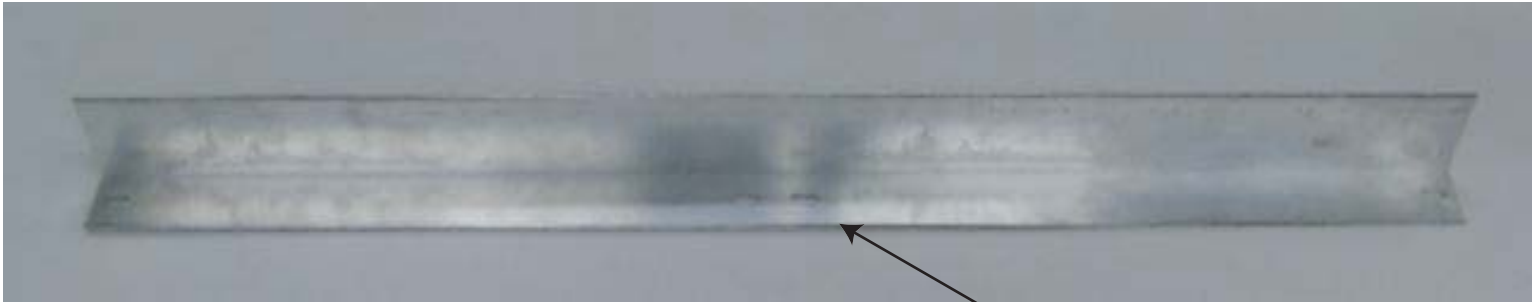
## Installation Instructions

1 Storm Bar Kit (Shutters Less Than 46" in Height)  
Contains:

- 1 pc. Storm Bar
- 4 pc. 1/4-20 x 1-1/2 Carriage Bolt
- 4 pc. 1/4" Bolt Retainer
- 4 pc. 1/4" Flanged Wing Nut

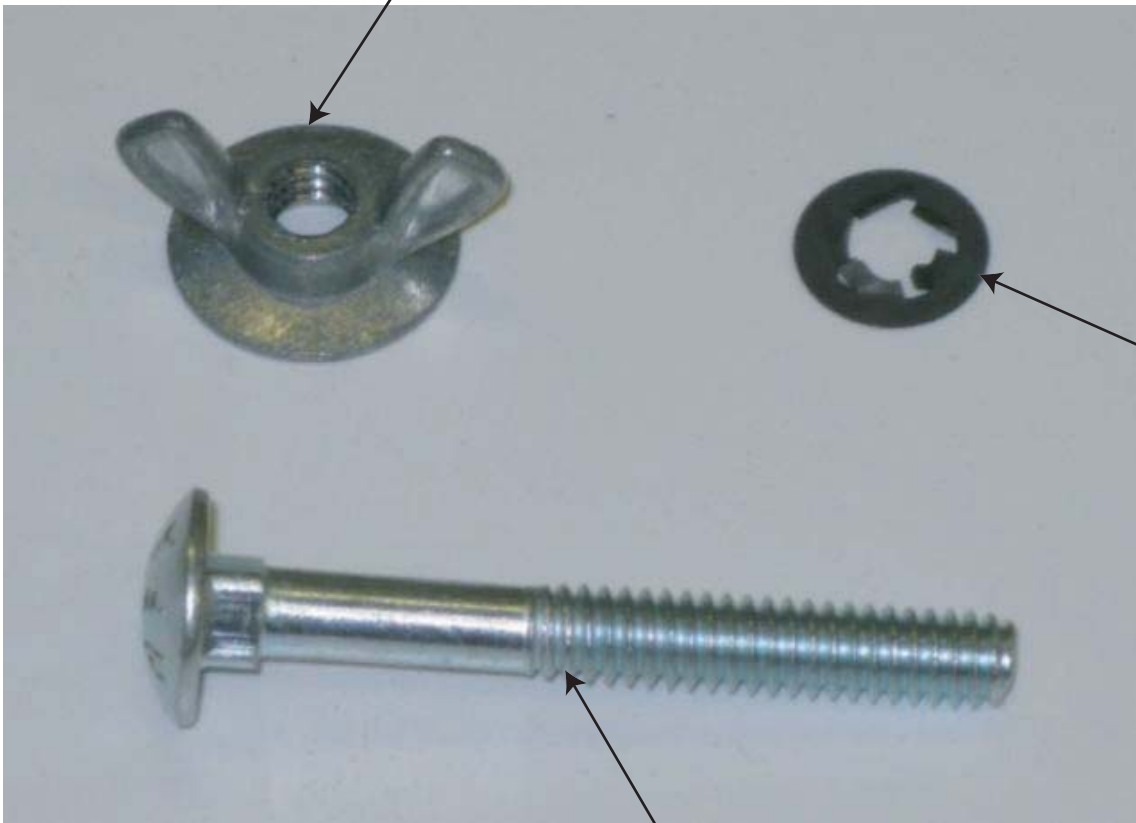
2 Storm Bar Kit (Shutters 46"-102" in Height)  
Contains:

- 2 pc. Storm Bar
- 8 pc. 1/4-20 x 1-1/2 Carriage Bolt
- 8 pc. 1/4" Bolt Retainer
- 8 pc. 1/4" Flanged Wing Nut



1/4-20 Flanged Wing Nut

Storm Bar



1/4" Bolt Retainer

1/4-20 x 1-1/2" Carriage Bolt

# HORIZONTAL STORM BAR

## Installation Instructions

- 1 Close shutters over the window.



Shutter Height	Number of Storm Bars
Less Than 46"	1
46" to 102"	2

- 2 Reference the chart for the number of Storm Bars required for the shutter size.

For one Storm Bar, see Step 3a.  
For two Storm Bars, see Step 3b.

- 3a Mark the holes for mounting the Storm Bar. Holes are located in one set of four, horizontally across the shutter assembly.

Vertical location:

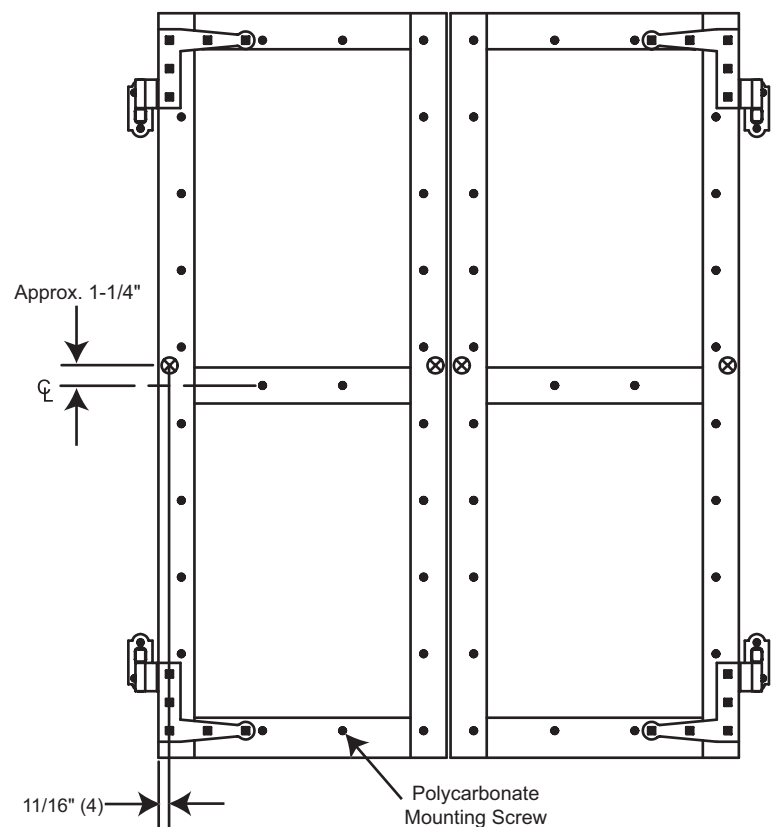
- Measure approximately 1-1/4" above or below the center of the shutters. Choose the direction that will locate the bar between the Polycarbonate Mounting Screws nearest the center of the shutter. Adjust the position of the holes accordingly so the Storm Bar will sit flat on the shutters and removal of the screws is not necessary.

Horizontal location:

- Measure 11/16" from each side of both shutters at the previous height location and mark (four holes total).

\*Hole locations marked on diagram with ⊗.

Proceed to Step 4.



# HORIZONTAL STORM BAR

## Installation Instructions

- 3b Mark the holes for mounting the Storm Bars. Holes are located in two sets of four, horizontally across the shutter assembly.

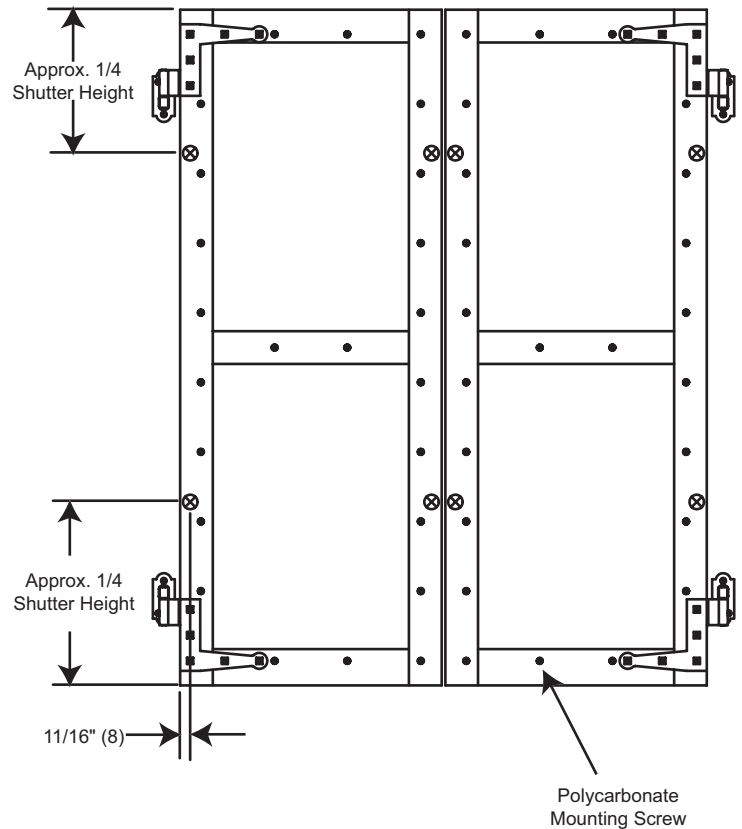
Vertical location:

- Measure approximately 1/4 the height of the shutters from the top and mark. Measure approximately 1/4 the height of the shutters from the bottom and mark. This should locate the bar between the Polycarbonate Mounting Screws. Adjust the position of the holes accordingly so the Storm Bars will sit flat on the shutters and removal of the screws is not necessary.

Horizontal location:

- Measure 11/16" from each side of both shutters at the previous height locations and mark (eight holes total).

\*Hole locations marked on diagram with ⊗.



- 4 Drill eight 1/4" diameter holes completely through the shutters. If installing on Architectural Collection shutters, enlarge the 1/4" hole on the side of the shutters opposite the polycarbonate through the first wall only with a 5/16" drill. (This is so the bolt will seat in the shutter completely in the next two steps.)

\*Note: Use caution when drilling through the shutters to avoid chipping off any paint on the face of the shutters.

- 5a Insert 1/4-20 x 1-1/2 Carriage Bolts through holes in the shutters. The bolts should be inserted so the stud end sticks out of the side with the polycarbonate attached.

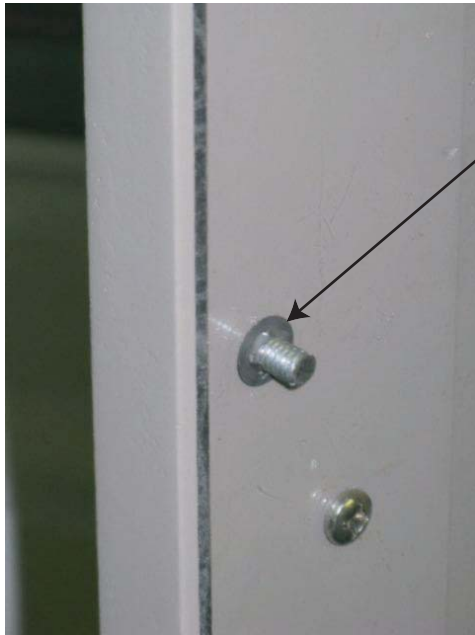


# HORIZONTAL STORM BAR

## Installation Instructions

- 5b Give each bolt head a firm tap with a hammer to seat the bolt into the shutter.

\*Note: Use caution to avoid splitting the fiberglass stile if mounting on Architectural Collection Shutters (N/A for Classic Collection Shutters).



1/4" Bolt Retainer

- 6 Place one 1/4" Bolt Retainer over the end of each bolt (teeth facing out) and press into place, using a 7/16" socket (or similar tool), snugly against the shutter. Hold the bolt head in place while attaching the Bolt Retainer to ensure that it is fully seated (maximum number of threads exposed).

\*Note: Bolts remain in the shutters during Storm Bar use and also while bars are in storage.

- 7 Place one Storm Bar on the shutter assembly by aligning the slots in the bar with one set of the four bolt studs sticking out of the shutter assembly.

\*Note: Top Storm Bar orientation must be as shown with the protruding leg of the bar positioned on top. Bottom bar is opposite orientation (N/A if shutters are less than 46" tall).



# HORIZONTAL STORM BAR

## Installation Instructions

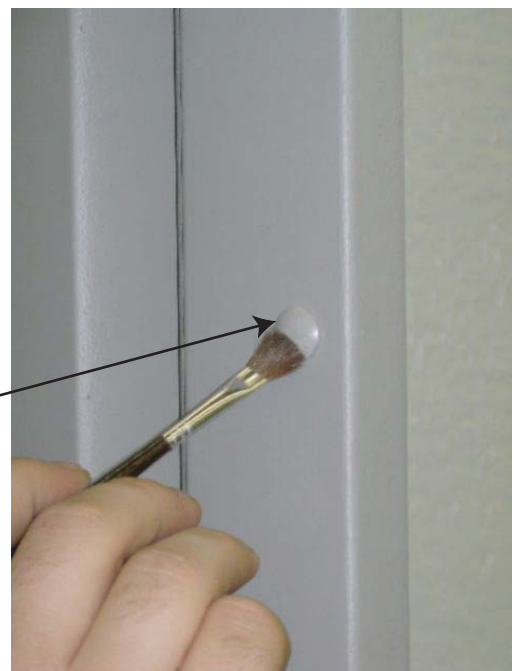
- 8 Attach one 1/4-20 Flanged Wing Nut to each stud and tighten.



- 9 Repeat steps seven and eight for the other Storm Bar. (Skip this step if only mounting one Storm Bar.) When completed, the assembly should resemble the picture.

- 10 \*Optional: Use shutter touch-up paint (supplied with shutters) to paint the heads of the 1/4-20 x 1-1/2 Carriage Bolts.

Carriage Bolt Head



# HORIZONTAL STORM BAR

## Installation Instructions

---

- ⑪ Final Storm Bar assembly should resemble the picture.

Two Storm Bars



One Storm Bar



---

### Storm Bar Removal and Storage

---

- ① Remove the Wing Nuts and Storm Bar(s).
- ② Attach the Wing Nuts to the studs and tighten.
- ③ Store Storm Bar(s).

1/4-20 Wing Nut

