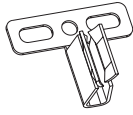


Shutter Clip

Installation Instructions



For Installation of One-Piece Shutters

Required for Installation:

- Six Shutter-Clips per shutter
- Nine #10 or equivalent (M5 metric) screws per shutter. Length of screws is dependent on mounting surface.
- Other fasteners may be required for specific surfaces.
- Screw driver, electric drill, level, and pencil

Installation Notes:

Each shutter has ribs in the back of the top, center, and bottom panels. Two clips are used in each of these three areas. See the illustration at the right.

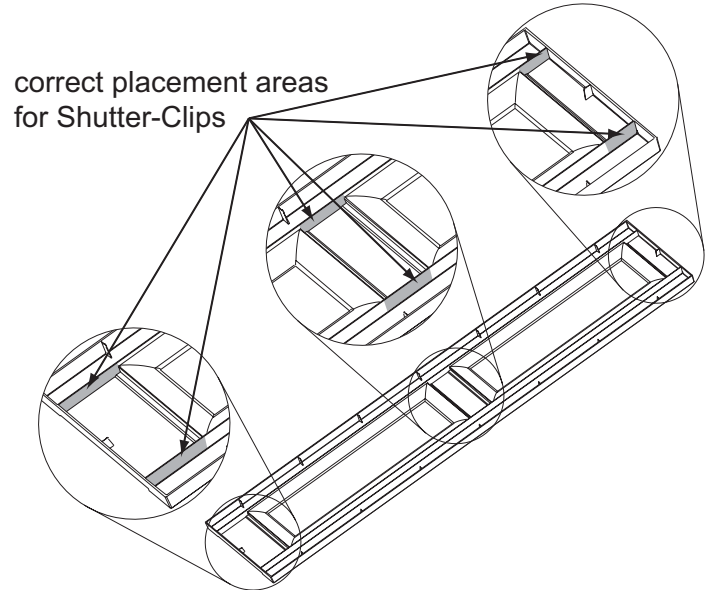
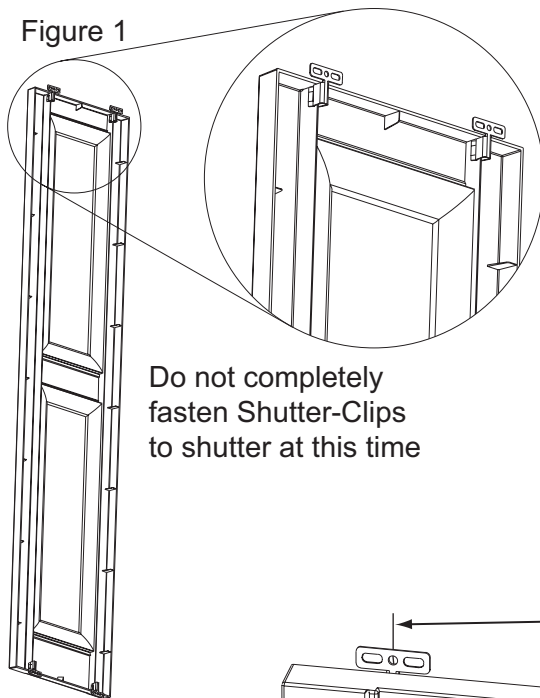


Figure 1



Do not completely fasten Shutter-Clips to shutter at this time

Step 1:

Push a shutter clip partially onto the ribs at each corner of the shutter with the mounting tab extending beyond the shutter (4 places). See Figure 1. **DO NOT** press the Shutter-Clips completely on to the shutter at this time because they will be removed later.

Step 2:

Hold the shutter against the mounting surface in the position where it will be attached. Mark the center hole of each shutter clip (4 places). Draw lines vertically between the top and bottom marks. After completing Step 2, remove the Shutter-Clips from the shutter.

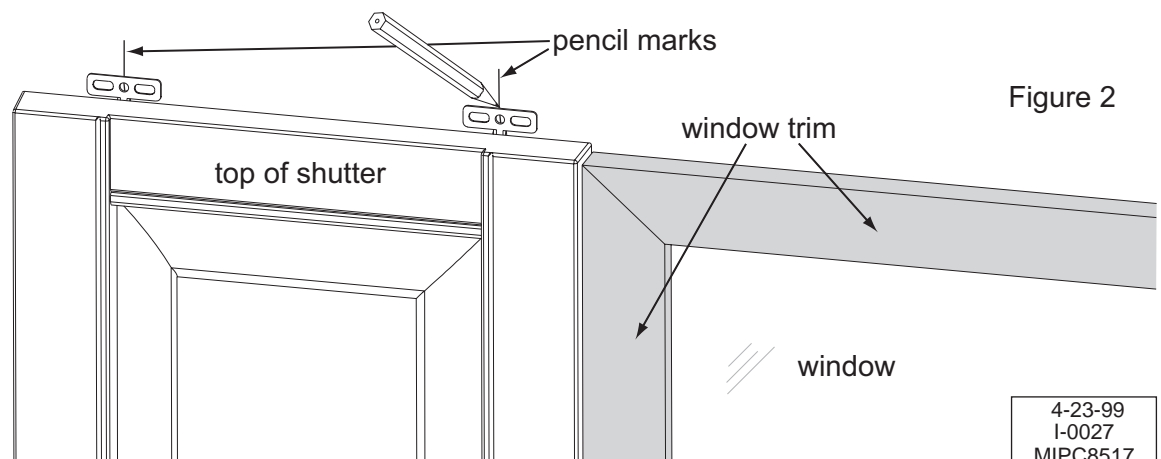
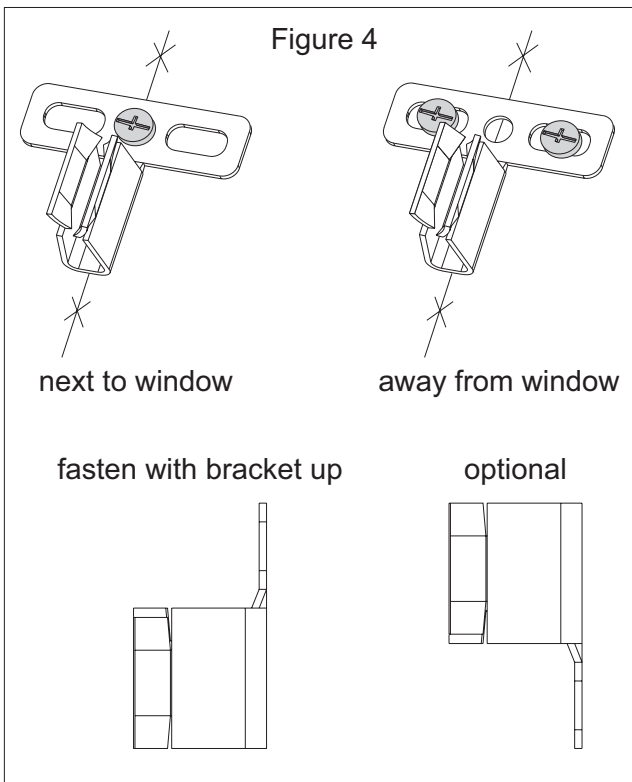
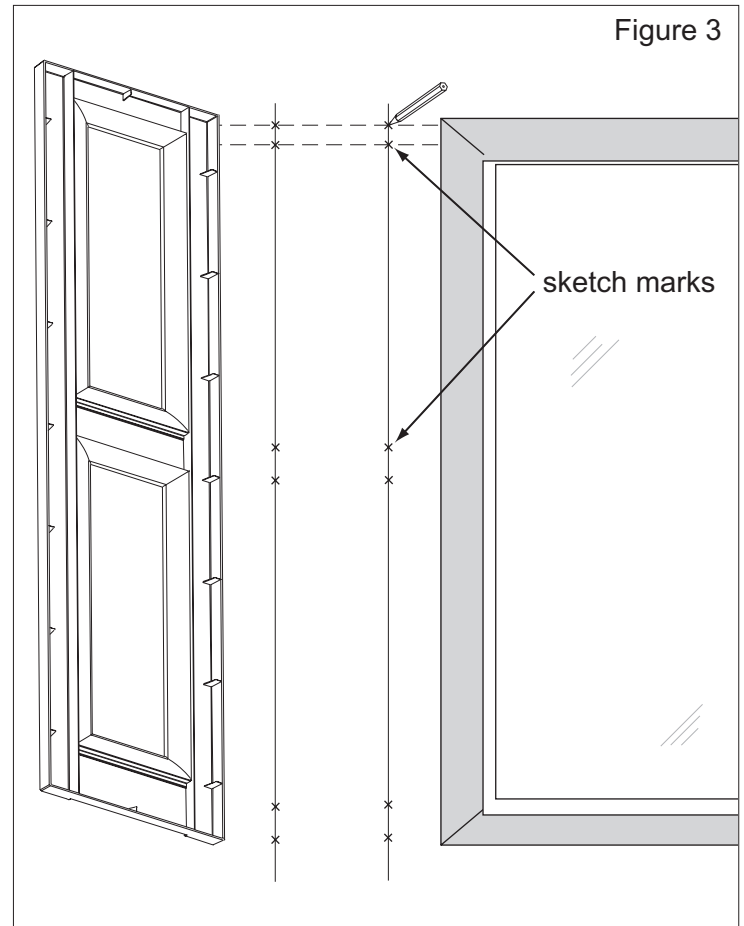
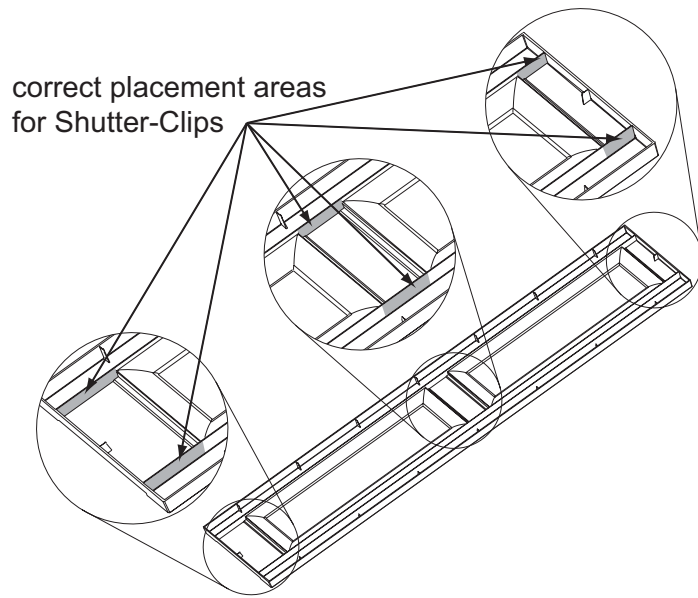


Figure 2

Step 3:

With its front facing the mounting surface, align the shutter next to where it will be mounted. On the lines drawn in the previous step, sketch marks corresponding to the mounting areas of the shutter. See figure 3.



Step 4:

Read all of Step 4 and view Figure 4 before installing Shutter-Clips to mounting surface. Fasten the shutter clips centered on the vertical line and between the sketch marks drawn in Step 3. Use one screw next to the window and two screws in the shutter clips away from the window. See Figure 4. These clips should be free to move with temperature changes. The mounting bracket on the Shutter-Clip should be placed in the upright position. Different mounting surfaces may require special mounting procedures or techniques.

Step 5:

After the Shutter-Clips are in position and fastened to the mounting surface, attach the shutter. Place the shutter over the Shutter-Clips and press the ribs of the shutter on to each Shutter-Clip. Press the shutter firmly against the mounting surface being sure all six clips engage.