



CUSTOM

SHUTTER

COMPANY

HANDCRAFTED &
MAINTENANCE-FREE

**SHUTTERS
& HARDWARE**

Exterior & Interior Styles
Choice of Construction Materials

1-800-470-0685

www.customshuttercompany.com



Board & Batten

Raised Panel
2 Equal Sections

Raised Panel
3 Equal Sections

True Louver

True Louver/Raised Panel
Combination



Nominal Thickness

All Shutters..... 1" thick on all sides

Standard Widths

Louver Styles 5 3/4", 8 1/2", 9 1/4",
11", 12", 13" 14 1/2",
16 1/2", 18"

Raised Panel Styles 12", 14 1/2", 16 1/2", 18"

Board & Batten (Joined) 7 3/4", 10 1/2", 14", 17 1/2"

Board & Batten (Spaced) 7 3/4", 12", 16 1/4", 20 1/2"

Standard Lengths

Louver Styles 18" - 144"

Raised Panel Style (Single) 18" - 55"

Raised Panel Style (Double) 22" - 110"

Raised Panel Style (Triple) 33" - 144"

Board & Batten Style 18" - 144"

Installation

To be installed in a fixed condition in accordance with manufacturers recommendations.

Material

Maintenance-free UV-Stabilized polypropylene copolymer.

Finish Molded through color.

Colors 20 colors available.

Hardware

Tapcon screws. Decorative hardware optional. See page 12-13 for hardware selection.

Warranty

40 year warranty against cracking, splitting or fading.



CAST ALUMINUM

8" Decorative Scroll Shutter Bolt



Floral Ring Pull



Flat Rat Tail Stay



Protruding Rat Tail Stay



Classic "S" Stay

FORGED STEEL

Adjustable Lag Pintel



Rounded Plate Pintel



Leaf Pintel



Bahama Stays



Bahama Shutter Hook



New York Strap Shutter Hinge



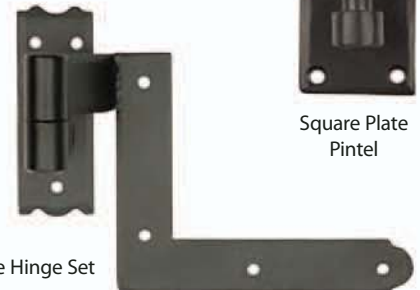
Suffolk Style "L" Hinge



Square Plate Pintel

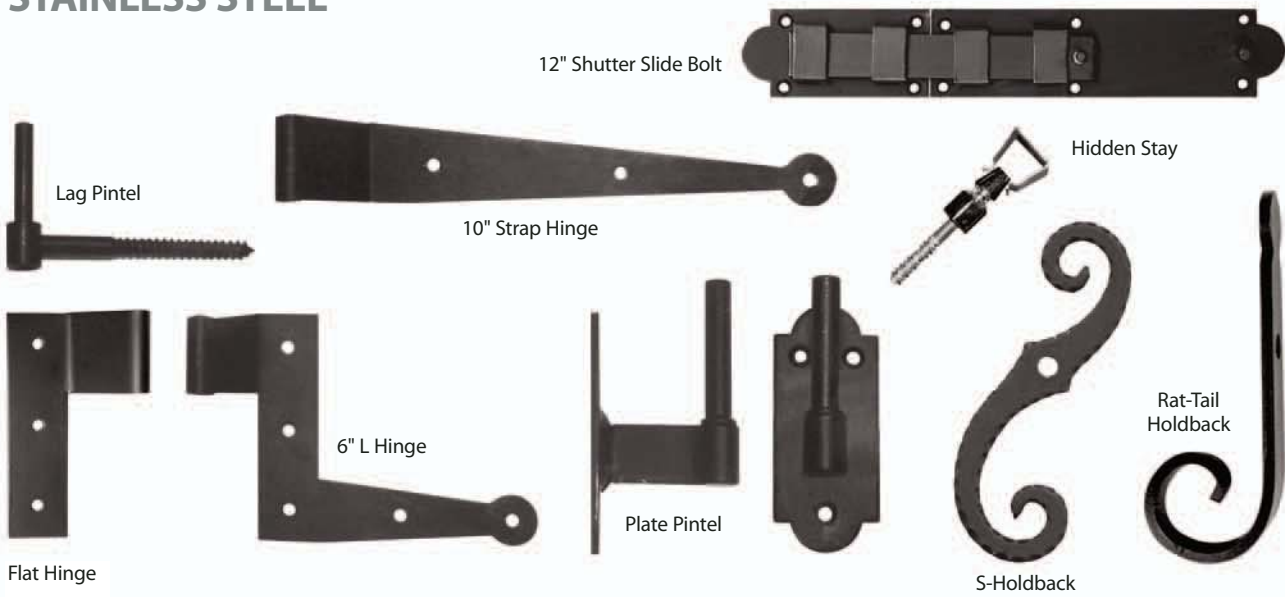


NY Style Hinge Set



Proper hardware selection is important to ensure proper installation and functionality of your shutter. Plus, the wide variety of styles and materials offered by Custom Shutter Company allows you to individualize your shutter presentation to meet your personal satisfaction.

STAINLESS STEEL



STANDARD STEEL



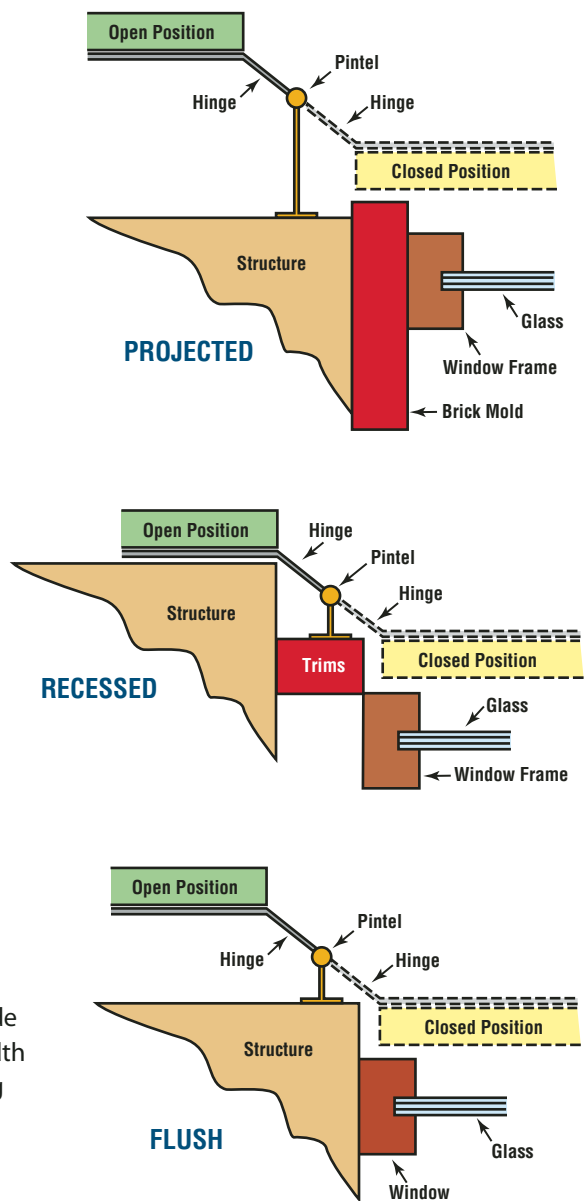
DECORATIVE HARDWARE



It is important to determine what hardware will be used before measuring for the exterior shutter installation if the shutters will be functioning. Understanding the shutter hardware mounting location is essential to getting accurate measurements. The diagrams at the right and instructions below show the most common exterior shutter installations.

Examples of Common Installation Options

- Projected** - The exterior shutters are going to function so that in the closed position they will cover the opening. Notice that the pintel offset is greater than the other examples. This creates depth and allows the shutter to close without binding with the edge of the structure. The projected installation example is the easiest for measuring because there is no trim or structure to dictate the measurements.
- Recessed** - The exterior shutters are going to function so that in the closed position the shutters are going to be between the trim around the windows. Thus the measurements must be made from inside trim to inside trim for width and height. It is important to recognize the depth created by the trim as the depth of the shutter might be greater than that of the trim. If this problem exists, then combining pintel and hinge offsets can create more depth as in the projected example.
- Flush** - The exterior shutters are going to function so that in the closed position the outside edge of the shutters is flush with the surface of the structure. Thus the measurement must be made between the inside edges of the opening of the structure for width and height. It is important to recognize the depth of the opening as the depth of the shutter might be greater than that of the opening. If this problem exists, then combining pintel and hinge offsets can create more depth as in the projected example.



Once the installation method has been determined, the width and height of the installation area is known. Traditionally, the method for determining shutter width is as follows:

$$\text{Exterior Shutter Width} = \text{Opening Width} - \text{clearances (if any)} / (\# \text{ of windows} * 2)$$

If the shutters are going to function, it is important to allow for hinges and spacing between shutters by subtracting clearances from opening width before calculating for exterior shutter width. Also, the exterior shutter must be the exact width or must be trimmed at the time of installation in order to function properly. For installations involving more than one window where the shutters must function, bi-folding hinges will be needed and in the open position the shutters will fold back behind each other so that only one shutter is visible.

Please Note:

This is just a guide intended to explain the principles involved in measuring for exterior shutter installations. Accuracy depends on the accuracy of measuring and properly choosing your installation method. Installations options are available that may not be listed in this guideline but if the principles of this guide are understood clearly, then creativity will allow installers to expand on these principles to deliver a wide range of opportunities. Just remember, take several measurements of each opening since they are not always square and be safe.

General Guidelines for Installing Traditional Shutters



1. Pick shutters to fit window and put next to each window on top of saw horses to make sure shutters are paired properly. Lay two shutters face down next to each and prepare to install hinges.



2. Install hinges after determining offset. Hinges are to be set at top and bottom even with outside. Drill holes with 1/8th pilot bit. Be careful not to drill all the way through shutter.



3. Position and install upper holdback clips 1" from top and center edge of stile. Shutters over 58" require 2 sets of acorns; install similarly at top.

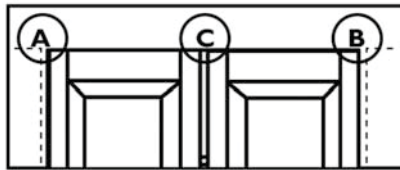


4. Install slide bolt. Turn shutters over and line-up slide bolt edge with shutter edge (see diagram above). Pre-drill 1/8 slot hole (careful not to drill all the way through). Install slide bolt with

screws. Shutters are now ready for installation.



5. Position shutter in opening allowing equal amounts of space between shutter and wall (A & B), and between shutters (C) to allow for smooth operation (see diagram below).



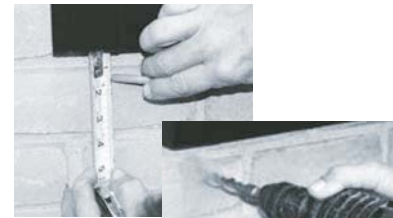
When attaching the pintel to the structure you may have to drill into mortar and brick—use appropriate mollys in mortar and brick.



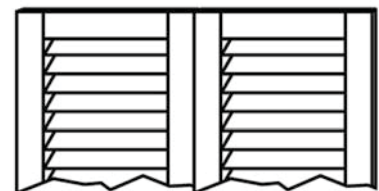
6. Install acorn clip. Swing shutter open and mark center of holdback clip and install acorn clip into brick.



7. Install "S" Holdback*. Shutter is now held open by acorn anchor. Position shutter dog in correct location and mark for screws and fasten to wall—1 1/2" down from shutter and 13/4" from outside edge.



* The acorn clip is better suited for holding the shutters in place, and as such, the "S" Holdback is recommended more for a decorative use as opposed to a functional one.



Shutters in closed position

Note: To deflect rain away from the structure. Louvered shutters should be installed so the louvers face **AWAY** from the structure when shutters are closed (see diagram above).



HANDCRAFTED & MAINTENANCE-FREE EXTERIOR SHUTTERS

Wood Composite • Fiberglass Composite • PVC Composite • Aluminum
Western Red Cedar • Sapele Mahogany • California Redwood
Bald Cypress • Southern Yellow Pine • Vinyl

Select from True Louver, Raised Panel, V-Groove Panel, Flat Panel
Board & Batten and Other Shutter Styles

Interior Shutters Also Available.

EXTERIOR SHUTTER HARDWARE

Cast Aluminum • Forged Steel • Cast Iron • Stainless Steel

1-800-470-0685

www.customshuttercompany.com

30 Wax Myrtle Court • Montgomery, Alabama 36117

Tel: 334.279.9029 • Fax: 251.545.4120 • Email: sales@customshuttercompany.com